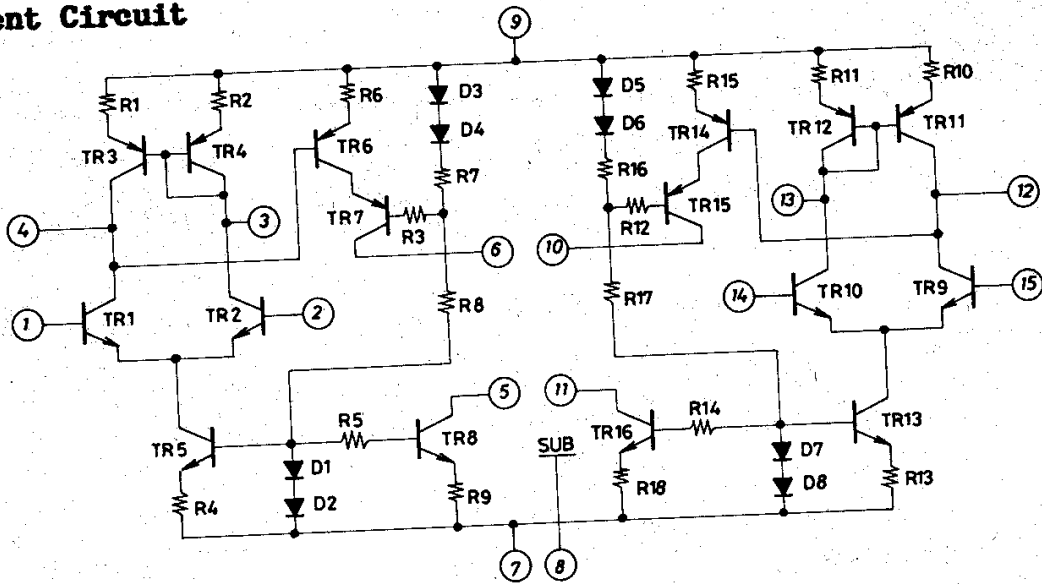




Equivalent Circuit



Test Circuit

