



AN5763

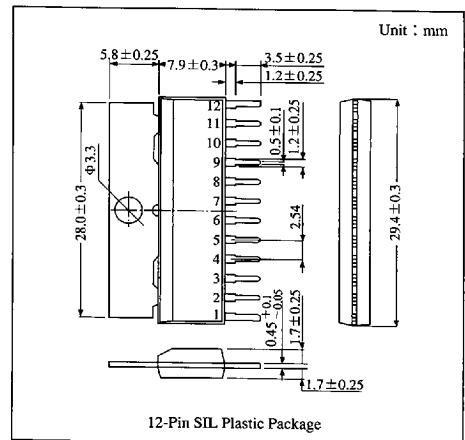
Vertical Deflection Signal Processing and Output IC for B/W TV

Overview

The AN5763 is one of the AN5700 series for 12V-operating Black/White TV. They are integrated circuits designed for B/W TV vertical deflection signal processing and output circuit.

Features

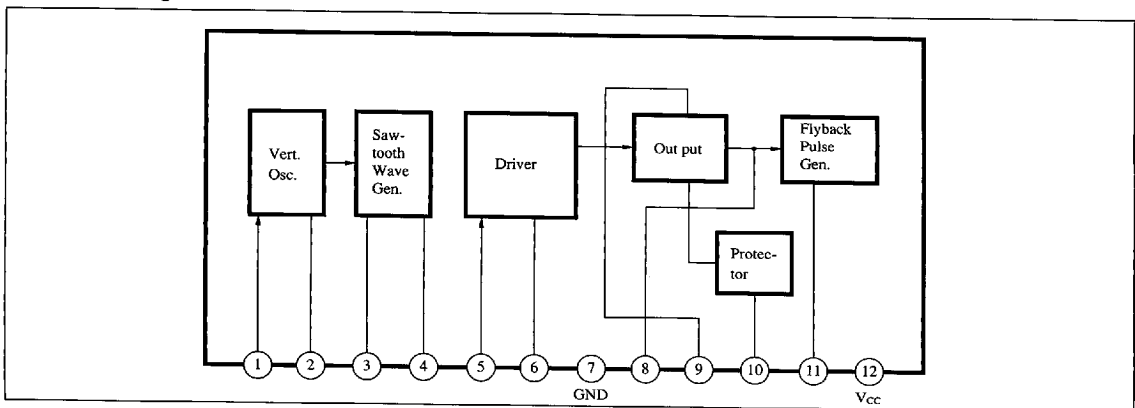
- Flyback pulse processing is highly efficient by pulse-up system.
- Level switch type oscillator circuit is incorporated, realizes economical circuitry with fewer external components.
- Vertical oscillator circuit featuring has highly stable operation against the change in temperature and supply voltage


 ICs for
 TV

Pin Descriptions

Pin No.	Pin name
1	Sync. input
2	Saw-tooth wave generation
3	Adj. for linearity
4	Vert. Osc. output
5	Input for vert. amp.
6	Decoupling
7	GND
8	Vert. output
9	Voltage source for vert. circuit
10	Protector
11	BLK pulse output
12	V _{CC}

Block Diagram



6932852 0014404 762

Panasonic

■ Absolute Maximum Ratings (Ta=25°C)

Parameter		Symbol	Rating	Unit
Supply voltage		V _{CC}	15.6	V
Power dissipation (Ta=70°C)		P _D	1330	mW
Temperature	Operating ambient temperature	T _{opr}	-20 to +70	°C
	Storage temperature	T _{stg}	-40 to +150	°C

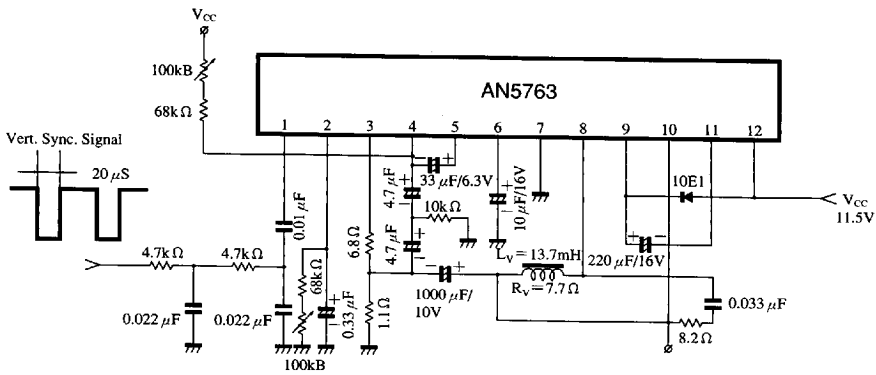
■ Electrical Characteristics (Ta=25°C)

Parameter	Symbol	Condition	min	typ	max	Unit
Circuit current (1)	I ₁₂	V _{CC} =11.5V, no-load	8.5	13.5	18.5	mA
Circuit current (2)	I ₁₂	V _{CC} =11.5V, R _L =25Ω	350	400	450	mA
Vertical oscillation-start voltage	V _{OSC-S(V)}	It shall be within f _{VO} =47 to 70Hz.	5.0	—	—	V
Vertical oscillation frequency	f _{VO}	V _{CC} =11.5V	48	50	52	Hz
f _{VO} supply voltage dependency	Δf _{VO} /V _{CC}	f _{VO} 9.2V - f _{VO} 13.8V	—	0	1	Hz
f _{VO} ambient temperature dependency	Δf _{VO} /Ta	f _{VO} -20°C - f _{VO} 60°C	—	0	1	Hz
Vertical output pulse width	τ (VO)	V _{CC} =11.5V, Sync. state	250	330	400	μs
Vertical pull-in range	f _{VP}	V _{CC} =11.5V, Sync. state	18	20	—	Hz
Deflection current (Peak)	I _{y (P-P)}	V _{CC} =11.5V, Sync. state R _H =88kΩ	665	715	750	mA _{P-P}
Center voltage	V _{MID}	V _{CC} =11.5V, Sync. state R _H =96.4kΩ	5.3	5.65	6.0	V
Flyback pulse amplitude	V _(FBP)	V _{CC} =11.5V, Sync. state R _H =96.4kΩ	20	21.5	—	V
Blanking pulse width	τ (BLP)	V _{CC} =11.5V, Sync. state R _H =96.4kΩ	690	760	840	μs
Output Tr. saturation voltage	V _{I2-8}	V _{CC} =11.5V, R _L =25Ω	—	2.0	2.3	V

6932852 0014405 6T9

Panasonic

■ Application Circuit



ICs for TV

■ 6932852 0014406 535 ■
Panasonic